



Since 1966



SK VALVES

GATE 閘門



Slide Gate ■
滑動閘門

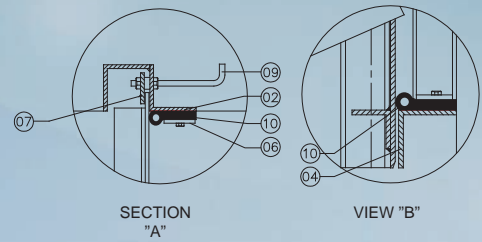
Sluice Gate ■
制水閘門

PRODUCT DESCRIPTION 產品概說

- Suitable for installed open channels and pool ports as circulation water or cutting off water use regulation.
適合裝設於明渠道及水池開孔中作為調節流通水量或截斷水流使用。
- Can be directly embedded or fixing with embedded fitting by civil engineering installation.
安裝時可採直接預埋方式或以預埋件固定方式配合土木工程。
- Under the installation position can be divided into two types of open channels with Slide Gate (three sides seal) and pool ports with Sluice Gate (full sides seal).
依安裝位置可分為渠道用滑動閘門(三面水封)及水池用制水閘門(四面水封)二種型式。
- The gate can be made by welding or casting.
閘門可採用鋼構焊製成型或鑄造一體成型。
- The length, width of gate port and the extension rod length ($W \times H \times L$) can be customized.
閘口長、寬尺寸及延伸桿長度($W \times H \times L$)可依客戶需要訂製。
- Can be equipped with manual, motor, hydraulic actuator.
可配置手動、電動、油壓等操作機構。

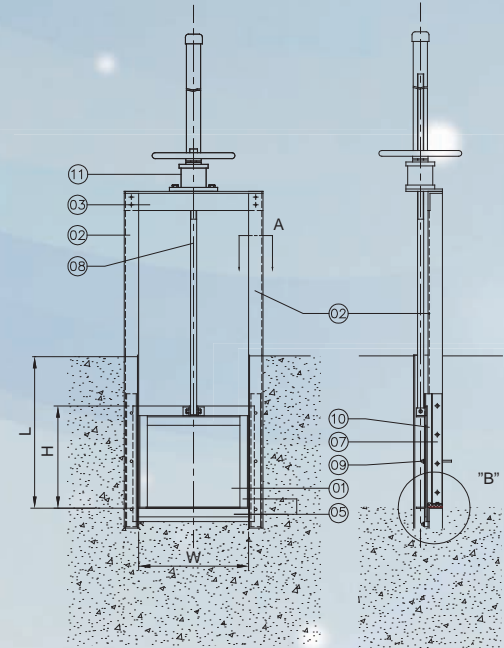
SLIDE GATE 滑動閘門

Three sides seal 三面水封



PARTS & MATERIAL 零件材質表

NO.	PARTS 零件	MATERIAL 材質
1.	Gate 閘門板	STAINLESS STEEL 不銹鋼
2.	Zygomorphic Frame 側框架	STAINLESS STEEL 不銹鋼
3.	Upper Frame 上框架	STAINLESS STEEL 不銹鋼
4.	Bottom Frame 下框架	STAINLESS STEEL 不銹鋼
5.	Support Rib 加強肋	STAINLESS STEEL 不銹鋼
6.	Seal Plate 水封壓板	STAINLESS STEEL 不銹鋼
7.	Guide Plate 導板	STAINLESS STEEL 不銹鋼
8.	Stem 昇降桿	STAINLESS STEEL 不銹鋼
9.	Fluke Bolt 錨定螺栓	STAINLESS STEEL 不銹鋼
10.	Seal 止水封條	NBR / EPDM / VITON 合成橡膠
11.	Actuator 操作器	MANUAL 手動 / MOTOR 電動 / HYDRAULIC 油壓

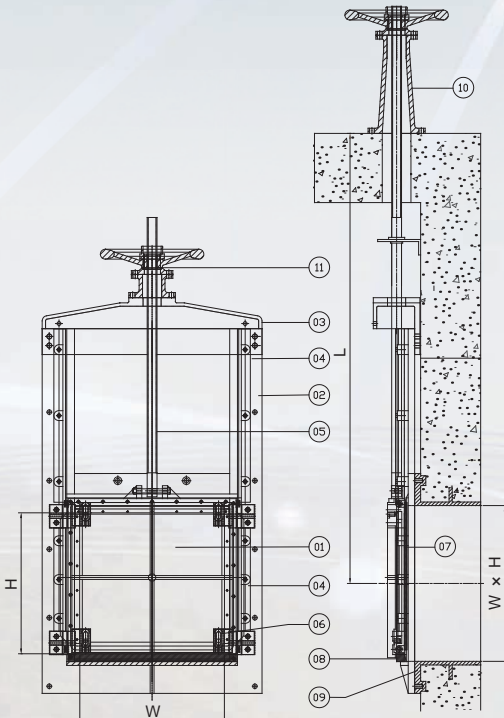


SLUICE GATE 制水閘門

Full sides seal 四面水封

PARTS & MATERIAL 零件材質表

NO.	PARTS 零件	MATERIAL 材質
1.	Gate 閘門板	DUCTILE CAST IRON 球墨鑄鐵 / SCS 鑄不銹鋼
2.	Zygomorphic Frame 側框架	DUCTILE CAST IRON 球墨鑄鐵 / SCS 鑄不銹鋼
3.	Upper Frame 頂框架	DUCTILE CAST IRON 球墨鑄鐵 / SCS 鑄不銹鋼
4.	Guide Plate 導板	STAINLESS STEEL 不銹鋼
5.	Stem 昇降桿	STAINLESS STEEL 不銹鋼
6.	Adjustable Wedge 可調楔組	STAINLESS STEEL 不銹鋼 / BRONZE 銅合金
7.	Gate Seat 止水座面	STAINLESS STEEL 不銹鋼 / BRONZE 銅合金 NBR / EPDM / VITON 合成橡膠
8.	Bottom Seal 底封	NBR / EPDM / VITON 合成橡膠
9.	Embedded Fitting 牆嵌環	DUCTILE CAST IRON 球墨鑄鐵
10.	Actuator Pillar 開關台	DUCTILE CAST IRON 球墨鑄鐵
11.	Actuator 操作器	MANUAL 手動 / MOTOR 電動 / HYDRAULIC 油壓

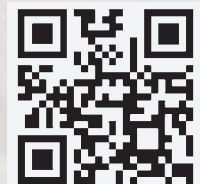


叶光閥業股份有限公司 SHYE KUANG VALVES MFG CO.,LTD.

恩盈企業股份有限公司 EN IN ENTERPRISE CO.,LTD.

■ 總公司 Headquarter
923屏東縣萬巒鄉佳興路83號
No. 83, Chia-Hsing Rd., Wan-Luan, Pingtung 923, Taiwan R.O.C.
TEL : +886-8-783-3834 FAX : +886-8-783-3734
E-mail: international@skvalves.com.tw Skype: skvalve.andrew

■ 北區辦公室 North Taiwan Office
337桃園市大園區致遠一路63號
No. 63, Zhiyuan Rd., Dayuan, Taoyuan 337, Taiwan R.O.C.
TEL : +886-3-381-7110 FAX : +886-3-381-5308



www.skvalves.com.tw

■ 本公司對型錄所列之材質與尺寸保留必要時可作修改之權利，或依客戶需求設計，實際尺寸及材質仍以客戶訂購時承認圖為準。

The materials and dimension can be improved in certain situation without notice. We can also follow customer's design, the actually materials and dimension will be provided by workshop drawing when customer placed the purchase order.